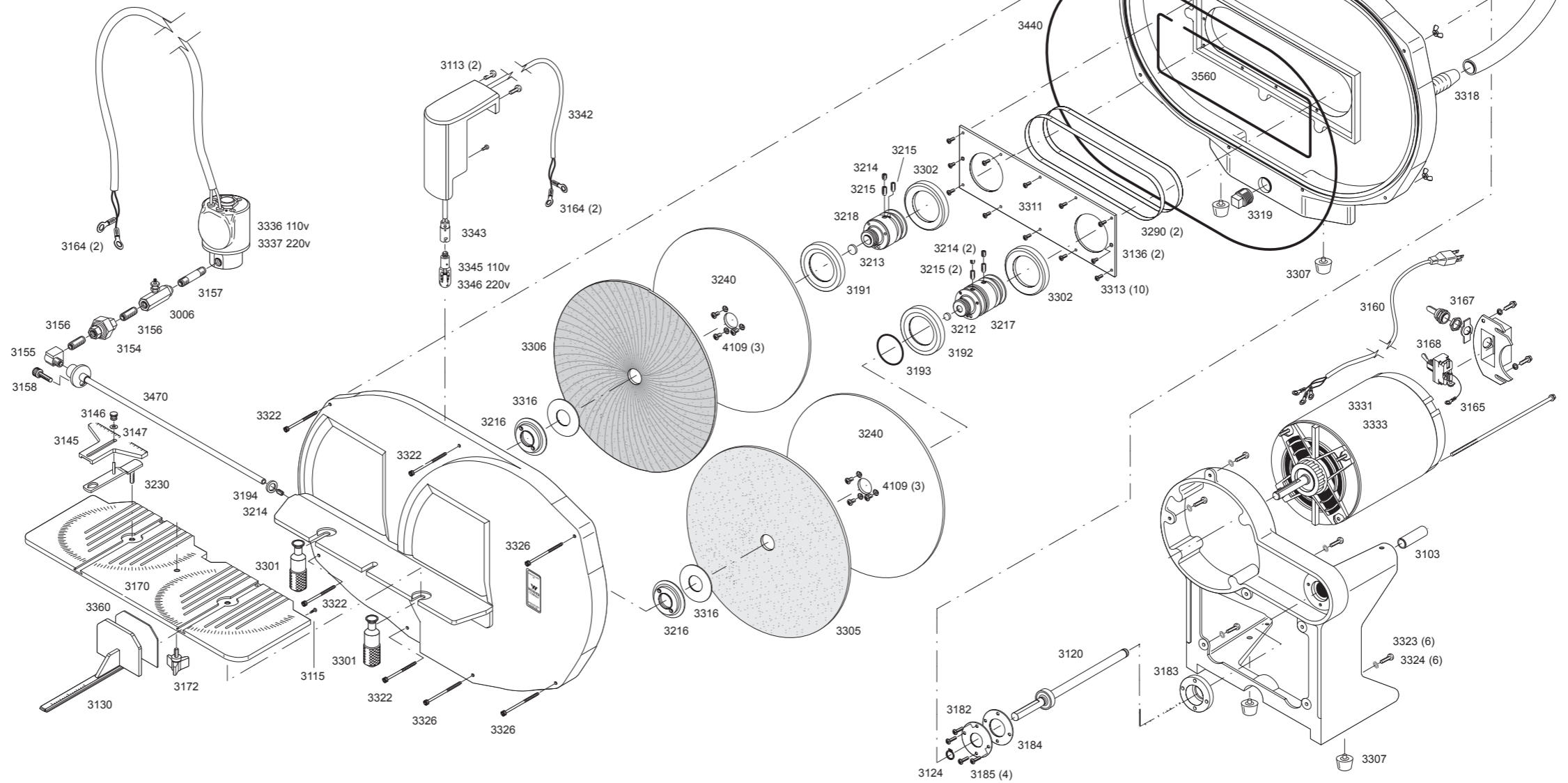
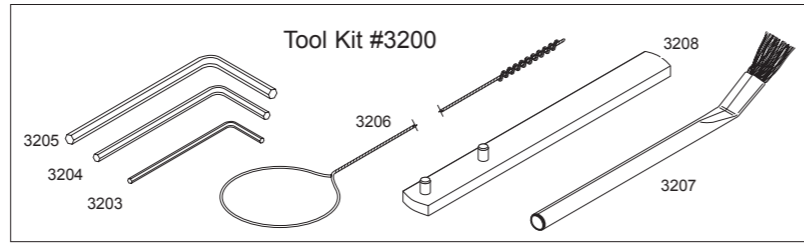


108 Trimmer Parts

- 3103 Sleeve Bearing
- 3113 Screw, 10-32
- 3115 Drive Screw
- 3120 Shaft w/ Bearing
- 3123 Fiber Washer
- 3124 External Retainer Ring
- 3130 Squaring Tool
- 3136 Screw, 4-40 FH
- 3145 Angulation Square
- 3146 Angulation Guide Nut
- 3147 Brass Washer #8
- 3153 Flow Regulator
- 3154 Pipe Union
- 3155 Elbow
- 3156 Nipple, 3/4"
- 3156 Nipple, 3/4"
- 3157 Nipple, 1-1/2"
- 3158 Spray Tube Screw
- 3160 Power Cord
- 3164 Lug Connector
- 3165 Jumper Wire
- 3167 Switch Protector
- 3168 Switch, 110/220v
- 3170 Trimming Table w/ Knob
- 3172 Trimming Table Knob
- 3181 Rubber Washer
- 3182 Bearing Retainer Plate
- 3183 Bearing Mount
- 3184 Washer
- 3185 Screw
- 3187 Rubber Strip
- 3191 Slinger, Left
- 3192 Slinger, Right
- 3193 O Ring
- 3194 O Ring
- 3203 Allen Wrench, 1/8
- 3204 Allen Wrench, 5/32
- 3205 Allen Wrench, 3/16
- 3206 Long Brush
- 3207 Angled Brush
- 3208 Spanner Wrench
- 3212 Rubber Plug
- 3213 Rubber Plug
- 3214 Set Screw, SS
- 3215 Set Screw
- 3216 Wheel Nut
- 3217 Hub, Fine Wheel
- 3218 Hub, Coarse Wheel
- 3219 Flow Adjusting Tool
- 3230 Lower Angulation Lever
- 3240 Back-up Plate w/screws
- 3290 Drive Belts (2)
- 3301 Angulation Tool Locking Knob
- 3302 Rubber Retainer Seal
- 3304 Screw
- 3305 Fine Wheel, Stone
- 3306 Coarse Wheel, Stone
- 3307 Rubber Foot
- 3311 Belt Housing Plate
- 3313 Screw, 4-40 PH
- 3316 Plastic Shim
- 3318 Drain Nipple
- 3319 Clean-out Plug
- 3321 Wing Nut
- 3322 Housing Screw, Short
- 3323 Screw
- 3324 Washer
- 3326 Housing Screw, Long
- 3331 Motor, 1/2 HP, 110/220v
- 3333 Motor, 3/4 HP, 110/220v
- 3336 Water Solenoid 110v
- 3337 Water Solenoid 220V
- 3342 Lamp Cord
- 3343 Lamp Socket
- 3345 Bulb, 110v
- 3346 Bulb, 220v
- 3360 Squaring Tool Pads (3)
- 3410 Drain Hose, 3'
- 3440 Housing Gasket
- 3470 Spray Tube w/ Flange
- 3560 Belt Housing Gasket



Trimmer Parts Kits

- 3140 Angulation Tool Complete
- 3301 Angulation Tool Locking Knob (1)
- 3230 Angulation Tool - Lower Only
- 3240 Back-up Plate w/screws
- 3103 Bearing, Bronze Sleeve
- 3183 Bearing Mount/ Nylon
- 3345 Bulb for worklight/ 110V
- 3346 Bulb for worklight/ 220V
- 3430 Belt Cover Plate and screws
- 3420 Cartons & Packaging 108
- 3319 Clean out Plug

- 3410 Drain Hose (3')
- 3344 Dressing Stone
- 3290 Drive Belts/108
- 3006 Flow Regulator / Needle Valve
- 3440 Gasket / Front Housing
- 3270 Housing Screws and Nuts
- 3250 Hub - Fine Wheel
- 3260 Hub - Coarse Wheel
- 3333 Motor/ 3/4HP / 110/220V/ 50-60Hz
- 3162 Power Cord/ 6' with three-prong plug
- 3300 Retainer Seals (2)
- 3120 Shaft and Bearing Assembly / 108

- 3190 Slinger Kit / R & L with O-ring / 108
- 3208 Spanner Wrench
- 3370 Spray Tube Assembly
- 3130 Squaring Tool
- 3360 Squaring Tool Pads (3)
- 3330 Switch Assembly w/ housing
- 3161 Switch Cover/ Housing
- 3167 Switch Protector/ Rubber
- 3200 Tool Kit w/ allen wrenches, spanner, and brushes
- 3306 Trimming Wheel / Carborundum/ Coarse
- 3305 Trimming Wheel / Carborundum/ Fine

- 3071 Trimming Table/ Commercial Grade w/knob
- 3170 Trimming Table Standard w/knob
- 3172 Trimming Table Knob
- 3890 Water Line Connection Kit 2' x .250 "x .170"
- 3336 Water Valve/ Electric/ 110V
- 3337 Water Valve/ Electric/ 220V
- 3329 Water Valve Wrench (ASCO)
- 3216 Wheel Nut (1)
- 3380 Wheel Nut Kit / (2 w/ shims)
- 3316 Wheel Nut Shim
- 3390 Work Light/ 110V
- 3400 Work Light/ 220V